

Tools Required

- Rubber mallet
- Flat blade screwdriver
- Needle nose pliers
- 9/64 hex key wrench

Gen-3
PN 33310
PN 33312
PN 33317



Quick Installation Guide

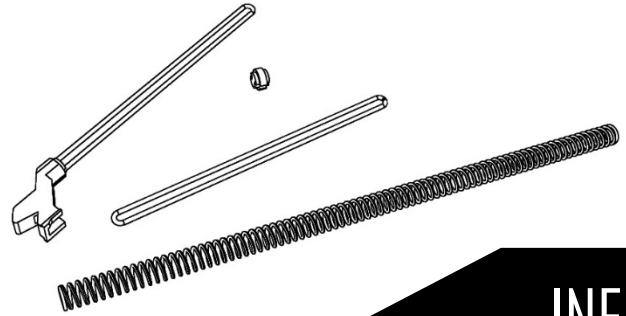
Always follow proper firearm safety practices and wear safety gear when servicing or handling any firearm.

Texas Weapon Systems is not responsible for your mishandling or improper use of a firearm.

***** Assure the firearm is unloaded before servicing *****

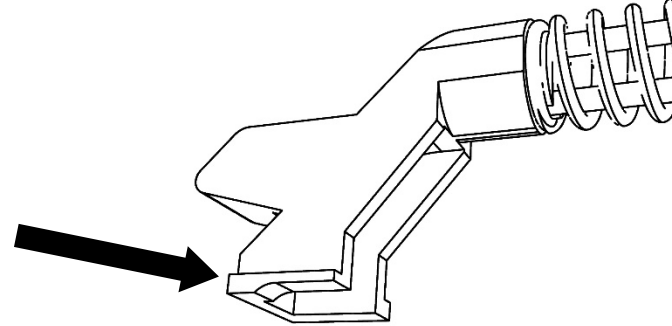
STEP 1

- Disassemble recoil spring assembly.
- Trial fit TWS cover release button supplied with kit into rear trunion.
- On some weapons it may be necessary to lightly sand the bottom surface of the release button to obtain an optimal fit. Apply a drop of gun oil in trunion slot.
- Reassemble recoil spring assembly using the supplied TWS cover release button.
- Set aside for later installation.



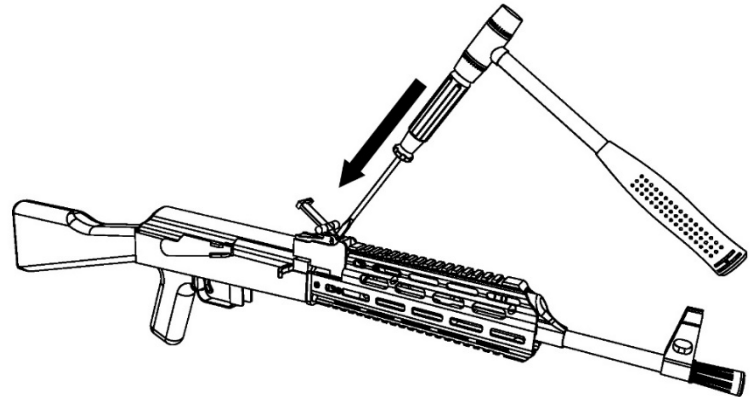
INFO

- The step under the right-side flange accommodates rifles with a grenade launcher feature, such as Yugo rifles.
- This feature is universally compatible with non-grenade launcher equipped rifles.



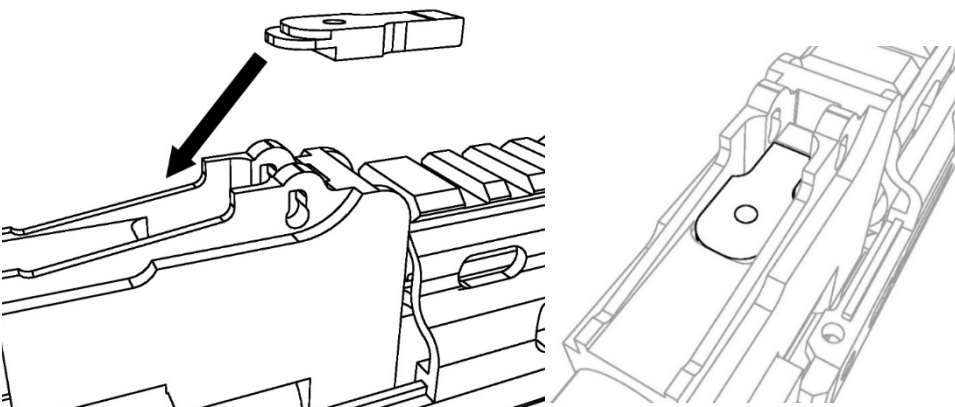
STEP 2

- Adjust range setting to highest level.
- Cover leaf sight with rag to prevent forceful ejection.
- Remove leaf sight with sharp strike, using tools as shown.
- Remove leaf spring with needle nose pliers.

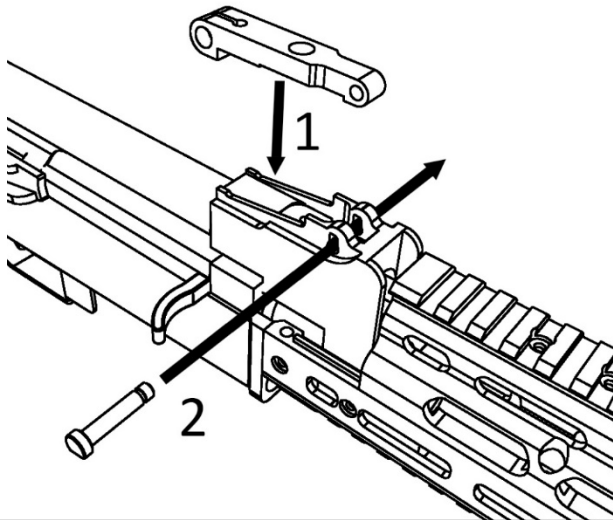


STEP 3

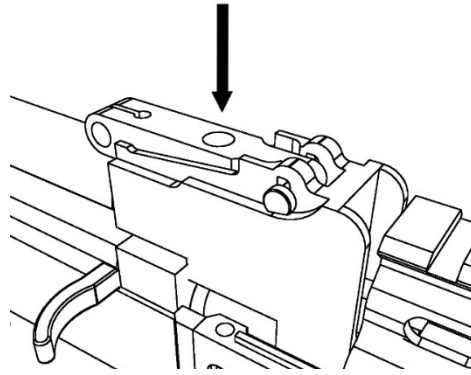
- Install nut plate in place of the leaf spring.
- Screw may be temporarily installed and used as hand-hold to assist the installation of nut plate as shown.



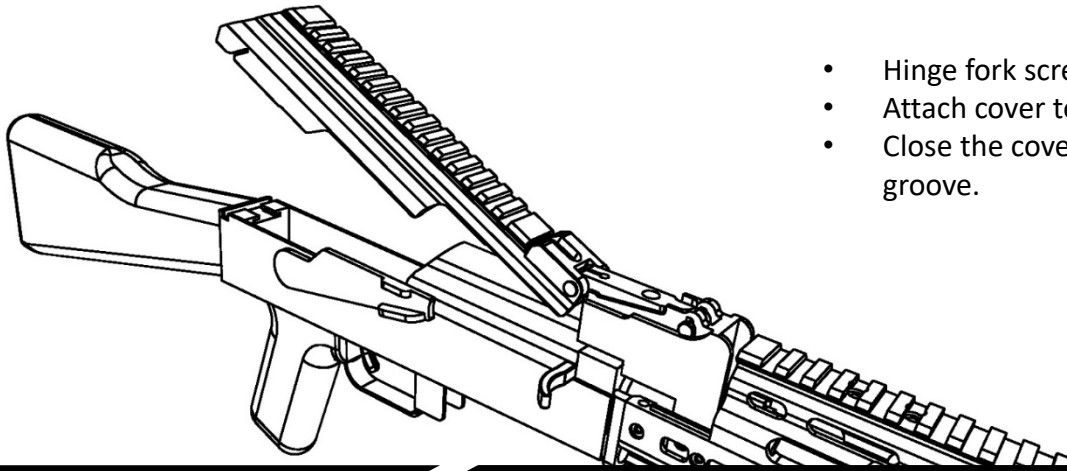
STEP 4



- Install hinge base (1) and hinge pin (2).
- Apply a drop of thread locking adhesive such as Loctite-Blue to screw.
- Secure hinge base to nut plate with screw.
- Secure hinge pin with e-clip.



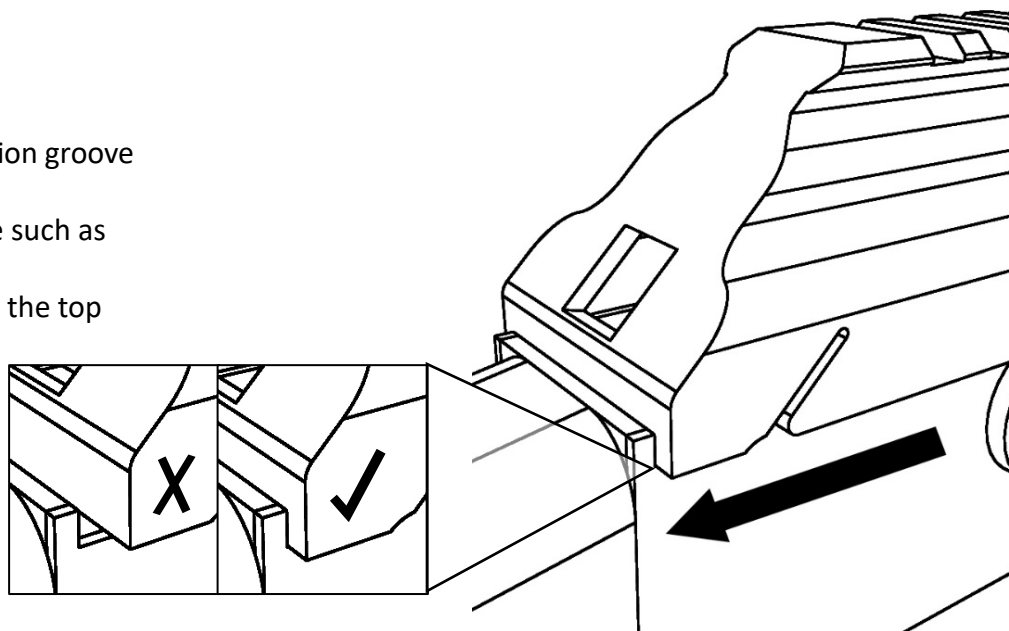
STEP 5



- Hinge fork screws should be finger tight only.
- Attach cover to hinge base using take down pin.
- Close the cover to fit into the rear trunnion groove.

STEP 6

- Adjust the cover rearward within trunnion groove as shown.
- Apply a drop of thread locking adhesive such as Loctite-Blue to hinge fork screws.
- Tighten the hinge fork screws to secure the top cover.
- Reinstall recoil spring assembly.
- Close cover and charge bolt carrier twice to seat cover release button (This should be done each time the cover is closed to ensure secure locking).



INSTALLATION COMPLETE



Made with pride in the USA
Quality AK parts designed and manufactured in the great state of Texas

